

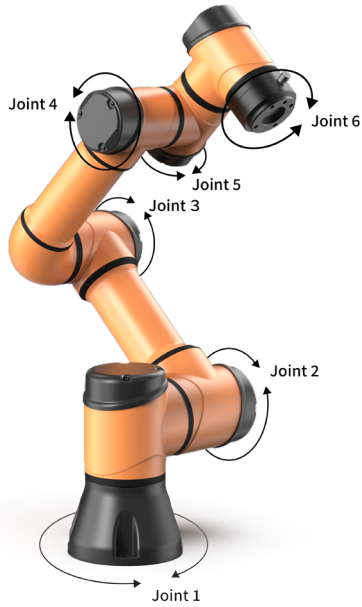
6 Axis
3kg Payload
625mm Reach



Learn More



www.aubo-usa.com



SPECIFICATIONS

| | |
|-------------------------|---|
| Payload | 3 kg |
| Reach | 625 mm |
| Weight | 16 kg |
| Mounting Base Footprint | Ø140 mm |
| Avg. Power Consumption | 150 W |
| Peak Power Consumption | 1000 W |
| Operating Temperature | 0-50 °C |
| Humidity | 90% Relative Humidity (No Condensation) |

CONTROL BOX SPECIFICATIONS

| | |
|-----------------------------------|---|
| Size (L x W x H) | 390mm x 370mm x 265mm |
| Weight | 15 kg |
| Robot Cable Length (Customizable) | 5 m |
| Teach Pendant Cable Length | 4 m |
| Power Supply Cable Length | 5 m |
| Communication Protocols | Ethernet TCP/IP, ModBus-RTU/TCP, Profinet |
| I/O Ports | |
| Digital Input | 16 (User) / 16 (Safety) |
| Digital Output | 16 (User) / 16 (Safety) |
| Analog Input | 4 |
| Analog Output | 4 |
| I/O Power Supply | 24V 3A |
| Power Supply Requirements | 100-240VAC, 50-60Hz |
| Open Source Development Support | SDKs in C/C++/C#/Lua/Python, ROS, Plug-in Support |

MOVEMENT

| | |
|--------------------------|----------|
| Repeatability (ISO 9283) | ±0.02 mm |
| Tool Velocity | ≤1.9 m/s |

| Axis Movement | Working Range | Maximum Speed |
|---------------|---------------|---------------|
| J1 Base | ±360° | 178°/s |
| J2 Shoulder | ±360° | 178°/s |
| J3 Elbow | ±360° | 178°/s |
| J4 Wrist | ±360° | 237°/s |
| J5 Wrist | ±360° | 237°/s |
| J6 Wrist | ±360° | 237°/s |

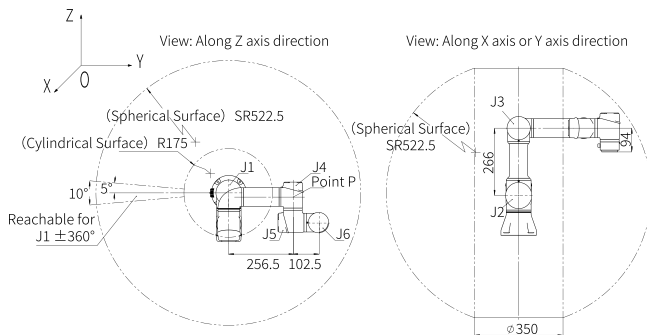
FEATURES

| | |
|-----------------------------|-----------------|
| Mounting Orientation | Any Orientation |
| IP Classification | IP 54 |
| ISO 1644-1 Clean Room Level | Class 5 |

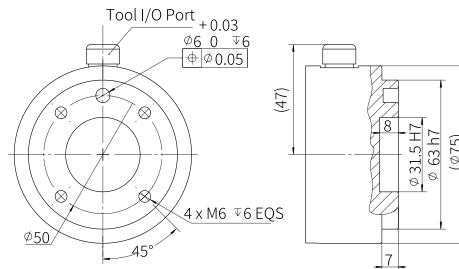
| Tool I/O Ports | |
|----------------|------------------|
| Digital Input | 4 (Customizable) |
| Digital Output | 4 (Customizable) |
| Analog Input | 2 |
| Analog Output | - |

| I/O Power Supply | |
|------------------|------------|
| Output Voltage | 0V/12V/24V |
| Output Current | 0.8A |

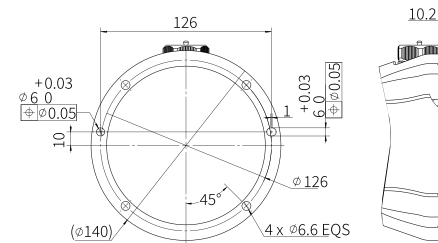
The AUBO i3 is a compact and lightweight collaborative robot designed to propel your organization towards progress. Built with a focus on efficiency, the AUBO i3 shines in tight clearances and small workspaces, whether on a benchtop or inside machinery. Despite its small size, it boasts full degree rotation on all wrist joints, enabling precise and repeated movements for light assembly tasks.



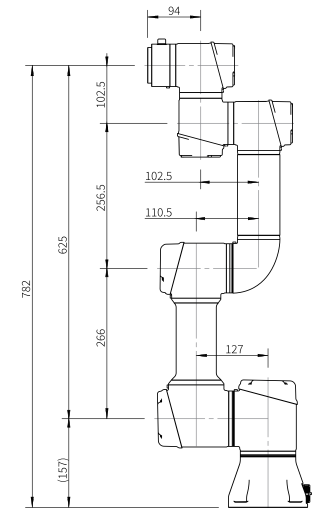
WORKSPACE DIMENSIONS



END FLANGE DIMENSIONS



ROBOT BASE TOP VIEW



PRODUCT DIMENSIONS