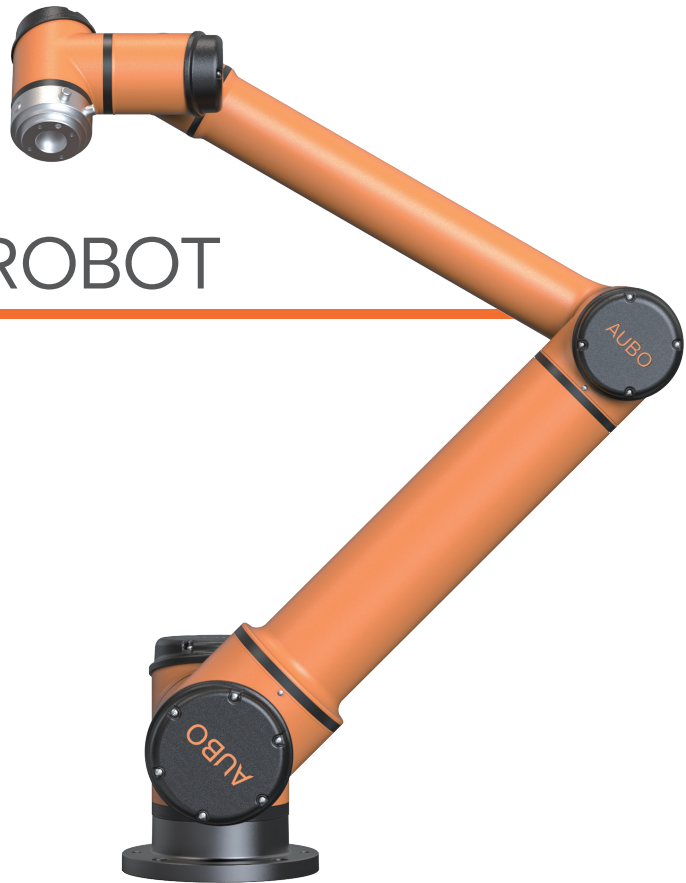


AUBO-iS10

iS SERIES

COLLABORATIVE ROBOT



10KG

Payload



36KG

Weight



±0.03mm

Repeatability



1300mm

Working Radius

- ✓ AUBO-iS10 is a high-performance collaborative robot with significantly faster speeds and higher IP class, which allows it to work in complex and demanding environments.
- ✓ AUBO-iS10 has a payload of 10 kg and offers a reach of 1457 mm and a maximum working radius of 1300mm.
- ✓ Compact, lightweight, designed for high performance and rapid response

Applications

The iS-series is suitable for a wide range of industrial scenarios and is particularly suited for advanced manufacturing, painting, and specialized applications in harsh environments.



Features and Benefits

- 01 Modular Design, Easy to Replace Joints** AUBO iS-series cobots feature an integrated modular design with six standard modules of different specifications in total, allowing for quick replacement and more convenient maintenance and repair.
- 02 Enhanced Performance, Precision and Efficiency** Compared to the previous generation, there is an overall improvement in the repeatability, absolute repeatability, and trajectory repeatability while operating at a much higher speed.
- 03 New Design, Higher Protection Level** The load-to-self weight ratio can reach 1:3.2. Core components have been optimized with new control algorithms. The fully enclosed structure allows for a maximum protection level of IP68.
- 04 Compact and Flexible, Wide Application** The new teach pendant weighs only 1kg, and the floor space of the new control cabinet is reduced by 50%. AUBO iS-series cobots also come with a multifunctional tool end, enabling a broader range of applications.



High Performance



High Precision



Rapid Response



Safe and Stable



Modular Design



Flexible Production



Precision Engineered

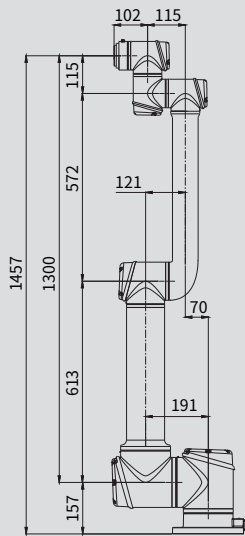


High IP Level

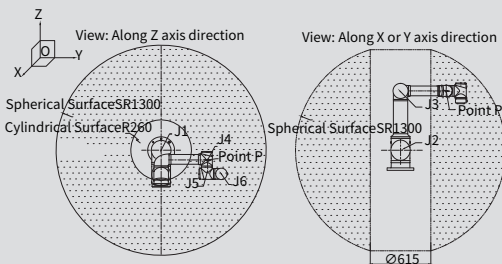


Compact and Lightweight

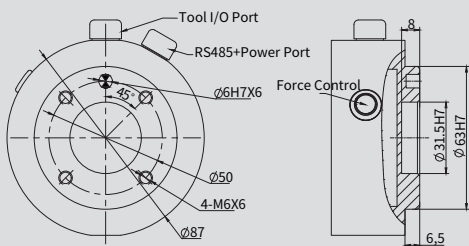
••• Others



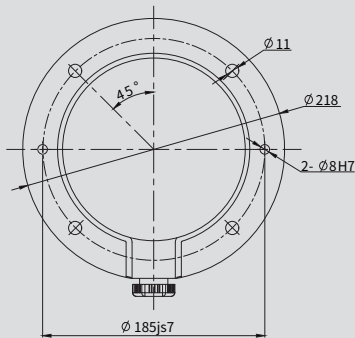
AUBO-iS10 Dimensions



AUBO-iS10 Moving Range of Point P



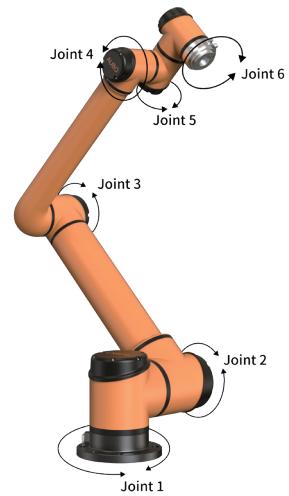
AUBO-iS10 Tool End Flange



AUBO-iS10 Top View of Base

Robot

Degrees of Freedom	6
Reach (mm)	1300
Payload (kg)	10
Weight (kg)	36
Mounting Surface Diameter (mm)	Ø218
Repeatability (mm)	±0.03
Linear Velocity (m/s)	≤4.0
Average Power(W)	500
Peak Power (W)	2000
Ambient Temperature (C)	0-50
Ambient Humidity	90% RH (Non-condensing)
Installation Orientation	Any ceiling, Floor, Wall
IP Classification	IP67, up to IP68
ISO 14644-1 Cleanliness Class	5



Axis Movement

	Working Range (°)	Maximum Speed (°/s)
joint 1	±360	178
joint 2	±360	178
joint 3	±167	237.6
joint 4	±360	296.3
joint 5	±360	296.3
joint 6	±360	296.3

*Each joint has the ability of ±360 but is limited by the application scenario. Some joints may not be reached.

Control Box

Model	AUBO-IS-CB-M
Size (L*W*H)	400mm*160mm*320mm
Weight	12.5kg
Cable Connecting the Robot	5m (customizable, up to 8m)
Cable Connecting the Teach Pendant	4m
Cable Connecting the Power	5m
Communication	Ethernet, ModBus-RTU/TCP, EtherCAT, EtherNet/IP, Profinet (Optional)
Interface	SDK (Support C/C ++/C#/Lua/Python), Support ROS, API
Incremental Encoder Interface	Encoder line count range: 1500-10000 CPR. Speed range: 0-3000 RPM
Power Supply	100-240VAC, 50-60Hz
IP Classification	IP43



Control Box I/O, Tool I/O

		Control Box	Tool
I/O Port	Digital In	8 (general) /8 (safe)	4(optional)
	Digital Out	8 (general) /8 (safe)	4(optional)
	Analog In	2	2
	Analog Out	2	-
	RS485	1	1
I/O Power	Output Voltage	24V	0V/12V/24V
	Output Current	2A	Rated 2A/Peak 3A

Teach Pendant

Model	AUBO-TP
Dimensions	254mm*213.1mm*40.8mm
Weight	1.0kg
IP Classification	IP43
Colors	Orange + black

